

LPF > 500kHz

V+ protection

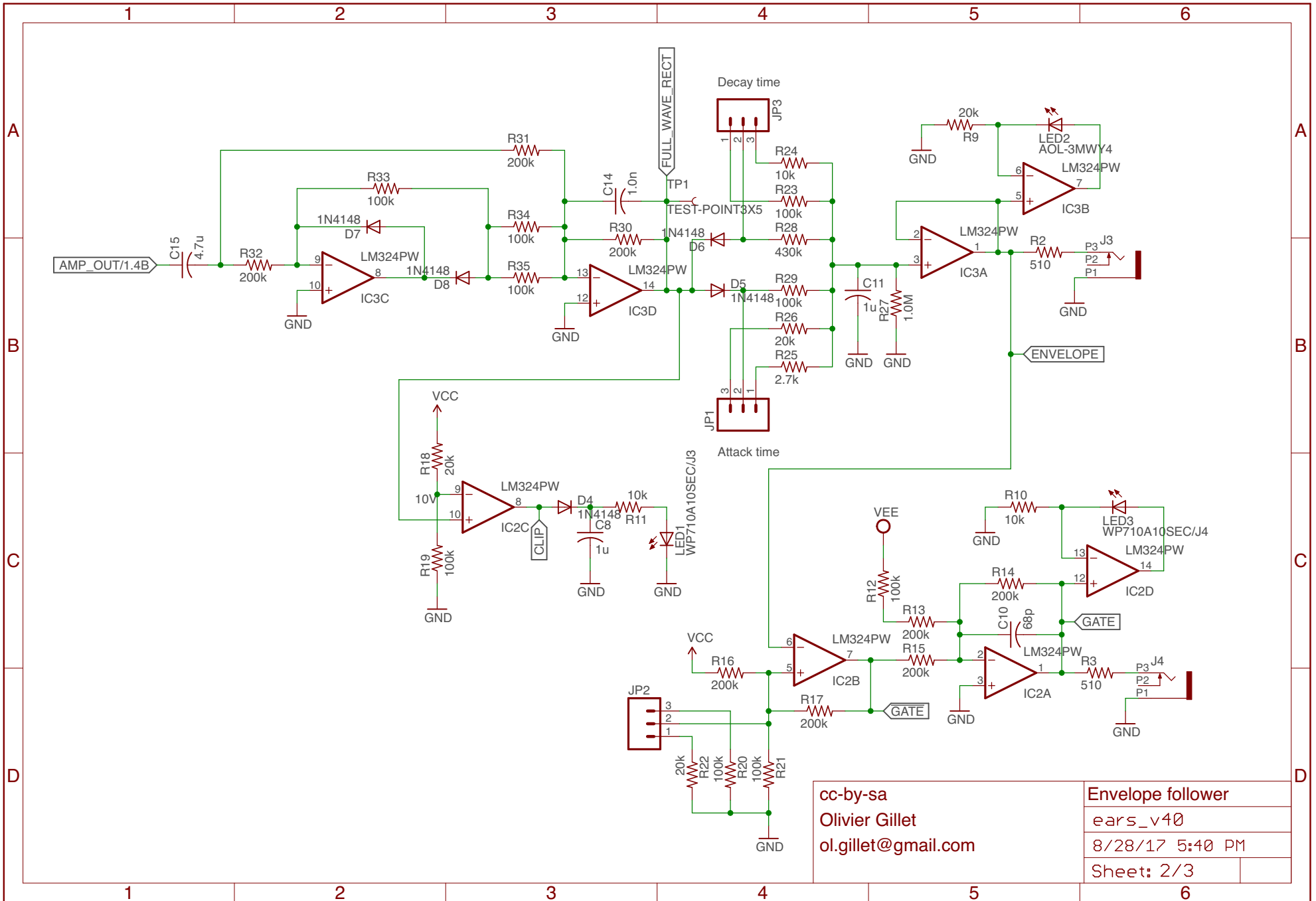
Gain: 1x (0dB) to 100x (40dB)

AC coupling HPF < 0.02Hz

LPF > 300kHz

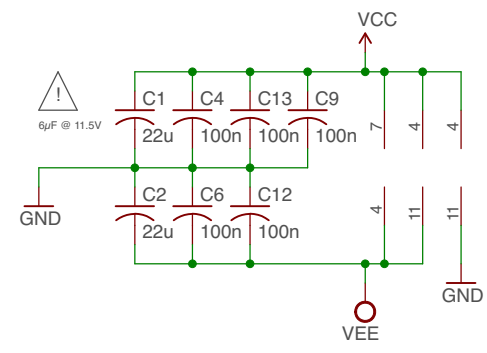
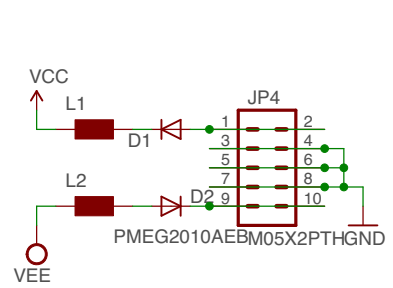
cc-by-sa  
 Olivier Gillet  
 ol.gillet@gmail.com

Input amplifier
ears_v40
8/28/17 5:40 PM
Sheet: 1/3



cc-by-sa  
 Olivier Gillet  
 ol.gillet@gmail.com

Envelope follower
ears_v40
8/28/17 5:40 PM
Sheet: 2/3



cc-by-sa  
 Olivier Gillet  
 ol.gillet@gmail.com

Power supply	
ears_v40	
8/28/17 5:40 PM	
Sheet: 3/3	